

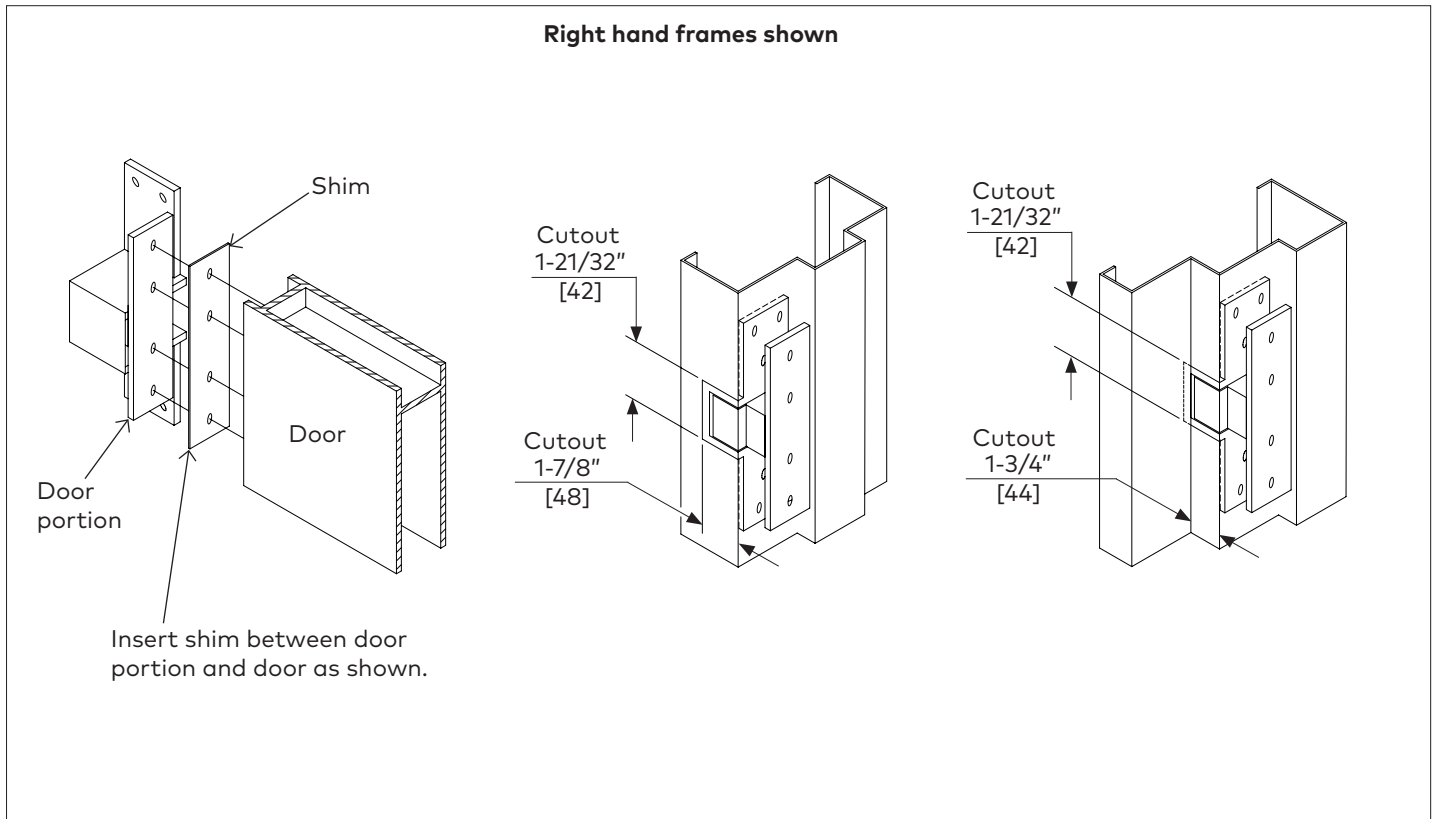
Installation Instructions

Pocket Pivot

Steel frame, wood/steel door

For use with 75520, 75523

1.1 Install pivot



1.1.1 Prepare door and frame for the two leaves shown by template on second page.

1.1.2 Centerlines of pivot must be in alignment to prevent binding between door and jamb.

1.1.3 Install door portion of pivots to door.

1.1.4 Place door in 90° open position and align frame portions with holes in frame reinforcement and secure tightly.

Template

Pocket Pivot
 Steel frame, wood/steel door
 For use with 75520, 75523

NOTE: Prepare full length of door.

